



SILKEBORG MASKINFABRIK A/S



Processing Tank Type SBQ-R

SILKEBORG MASKINFABRIK A/S
KEJLSTRUPVEJ 108
DK-8600 SILKEBORG

TEL + 45 87 22 48 00
FAX +45 86 82 95 14

E-MAIL SMF@SMF-AS.DK
WEB WWW.SMF-AS.DK

CVR-NO 18494949
ACCOUNT 9899 3328422

**Field of application:**

Agitation and processing of cultured milk and cream, yoghurt, cream, soups, sauces and similar products.

Capacity:

From 1,500 to 50,000 litres.

Standard design:

The tank is made of stainless steel, EN 1.4301.

It is provided with a stainless steel heating/cooling jacket around shell and bottom for forced circulation of water. Max. inlet pressure to jacket 4 bar.

Shell and bottom are insulated with 50 mm mineral wool and covered by an outer shell of full-welded stainless steel. It has 20° cone type top and bottom and is equipped with centrally located outlet.

The tank is supported by tubular stainless steel legs with adjustable ball type feet.

The tank is equipped with:

Frame type agitator consisting of a vertical shaft with two inclined paddles rotating close to tank wall and bottom. The agitator is complete with gear.

Internal Finish:

Top, shell and bottom: 2B with polished welds, max. 1.0 µm.

External Finish:

Top and shell: 2B with polished welds, max. 1.6 µm.

Bottom: Oil brushed

Tank fittings: Brushed welds.

Alternative designs:

- Inner tank made of EN 1.4404 stainless steel
- 25° to 45° cone type bottoms
- Two-section jacket
- Reinforced jacket for 4.0 bar inlet pressure
- Conical stainless steel legs

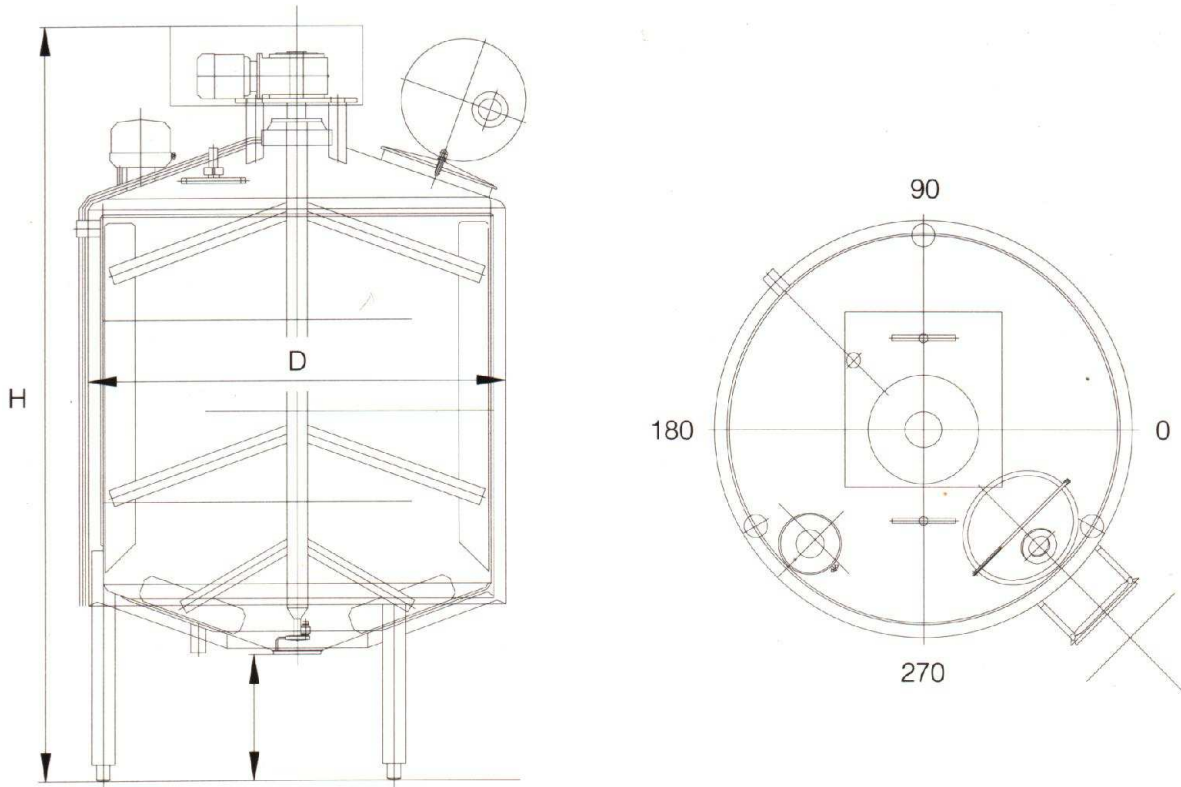


Extra equipment:

- Foamless inlet
- Foamless inlet, removable
- Airvent
- Swan necks
- Circular manway on tank top
- Safety switch for agitator
- Anti vortex device
- Cleaning turbine
- Spray ball removable
- Sight glass
- Light fittings
- Dial thermometer
- Connection for PT-100 temperature sensor or similar
- Connection for PH-control
- Flange for level transmitter
- Connections for level probes
- Stainless steel ladder with safety hoop
- Capacity scale glassblasted on inner tank wall
- Sample valve, type Keofitt
- Stainless steel support plates for feet
- Extended legs - max. 900 mm
- Internal finish max. 0.8 μm
- Other options on request.



Dimensions:



Ltr.	1500	2500	3300	4000	5000	6500	8000	10000	12000	15000	20000	25000	30000
Legs	3	3	3	3	4	4	4	4	4	4	4/6	4/6	4/6

D	1565	1565	1833	1833	1983	2133	2433	2433	2733	2733	3033	3033	3033
H	2480	2800	3050	3350	3530	3790	3725	4225	4210	4760	5120	5890	6640
Kgs	700	850	1100	1250	1350	1750	1900	2000	2300	2700	3000	3500	3800

All information subject to alteration without notice.