



SILKEBORG MASKINFABRIK A/S



# Processing Tank Type MPB

SILKEBORG MASKINFABRIK A/S  
KEJLSTRUPVEJ 108  
DK-8600 SILKEBORG

TEL + 45 87 22 48 00  
FAX +45 86 82 95 14

E-MAIL SMF@SMF-AS.DK  
WEB WWW.SMF-AS.DK

CVR-NO 18494949  
ACCOUNT 9899 3328422



**Field of application:**

Temperature treatment of liquid products in the dairy and food industries. Batch pasteurizer, starter heater.

**Sizes:**

200, 340, 535, 750, 1030 and 1500 litres.

**Standard design:**

The tank is made of stainless steel, EN 1.4301. It is provided with a heating/cooling jacket around the shell and bottom for forced circulation of water. Max. inlet pressure to jacket 4 bar.

Shell and bottom are insulated with 50 mm mineral wool and covered by an outer shell of full-welded stainless steel. It has a 15° cone type top and a plane 6° inclined bottom with ø 51 mm flanged spoon type outlet.

The tank is supported by tubular stainless steel legs with adjustable ball type feet.

The tank is equipped with:

Circular manway, ø 400 mm

Air vent with water trap

Cleaning turbine

Connection for PT-100 temperature sensor

Dial thermometer, 0-120°C

Capacity scale glassblasted on inner tank wall

Propeller type agitator with water flushed seal and complete with gear and pole-changeable electric motor. Gear and motor are covered by a stainless steel casing.

Motor: 1.1/0.55 kW, 1420/710 rpm

Propeller-speed: 198/99 rpm

**Internal Finish:**

2B with polished welds, max. 1.0 µm.

**External Finish:**

2B with polished welds, max. 1.6 µm.

**Bottom:**

Oil brushed.

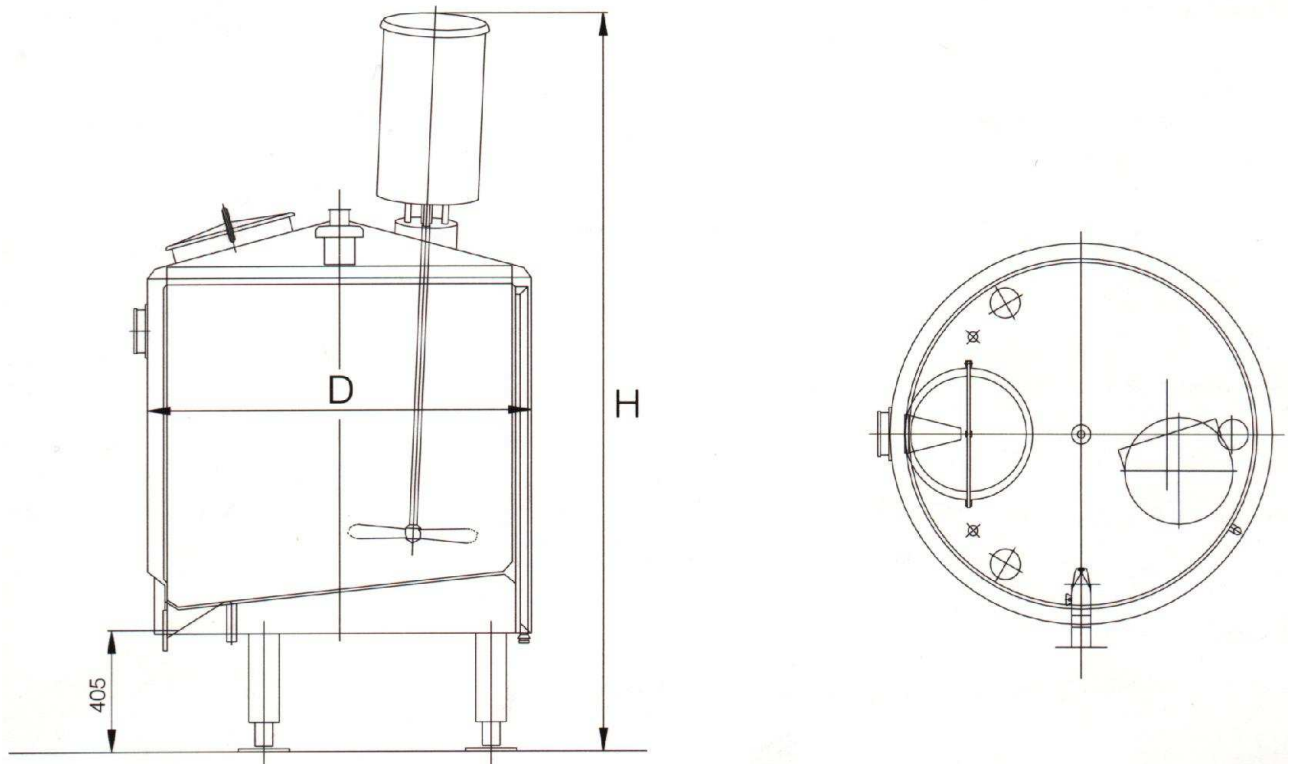


**Tank fittings:**  
Brushed welds.

**Extra equipment:**

- Foamless inlet,  $\varnothing$  51 mm
- Outlet valve,  $\varnothing$  51 mm, manually operated
- Connection for aseptic air filter
- Connection for PH control
- Stainless steel support plates for feet
- Extended legs for 680 mm outlet height

**Dimensions:**



Ltr	200	340	535	750	1030	1500
Legs	3	3	3	3	3	3
D	795	955	1059	1059	1273	1273
H	1970	2055	2245	2500	2465	2915
Kgs	200	250	340	400	450	600

All information subject to alteration without notice