



SILKEBORG MASKINFABRIK A/S



# Processing Tank Type MPA



## SILKEBORG MASKINFABRIK A/S

### **Field of application:**

Temperature treatment of liquid products in the dairy and food industries. Batch pasteurizer, starter heater.

### **Sizes:**

160, 320, 500, 750 litres.

### **Standard design:**

The tank is made of stainless steel, EN 1.4301.

It is provided with a heating/cooling jacket on shell and bottom for forced circulation of water. Max. inlet pressure to jacket 4 bar. Shell and bottom are insulated with 50 mm mineral wool and covered by an outer shell of full-welded stainless steel. It has a plane 6° inclined bottom with flanged spoon type outlet.

The tank is supported by tubular stainless steel legs with adjustable ball type feet.

The tank is equipped with:

- Hinged double-walled stainless steel cover with locking device. The cover can be opened 60°.
- Agitator with detachable propeller shaft, gear and electric motor. Propeller speed 90 rpm.
- Dial thermometer, 0-120°C with long probe.
- Glassblasted capacity scale on inside tank wall.

### **Internal Finish:**

2B with polished welds, max. 1.0 µm.

### **External Finish:**

2B with polished welds, max. 1.6 µm.

### **Tank fittings:**

Brushed welds.

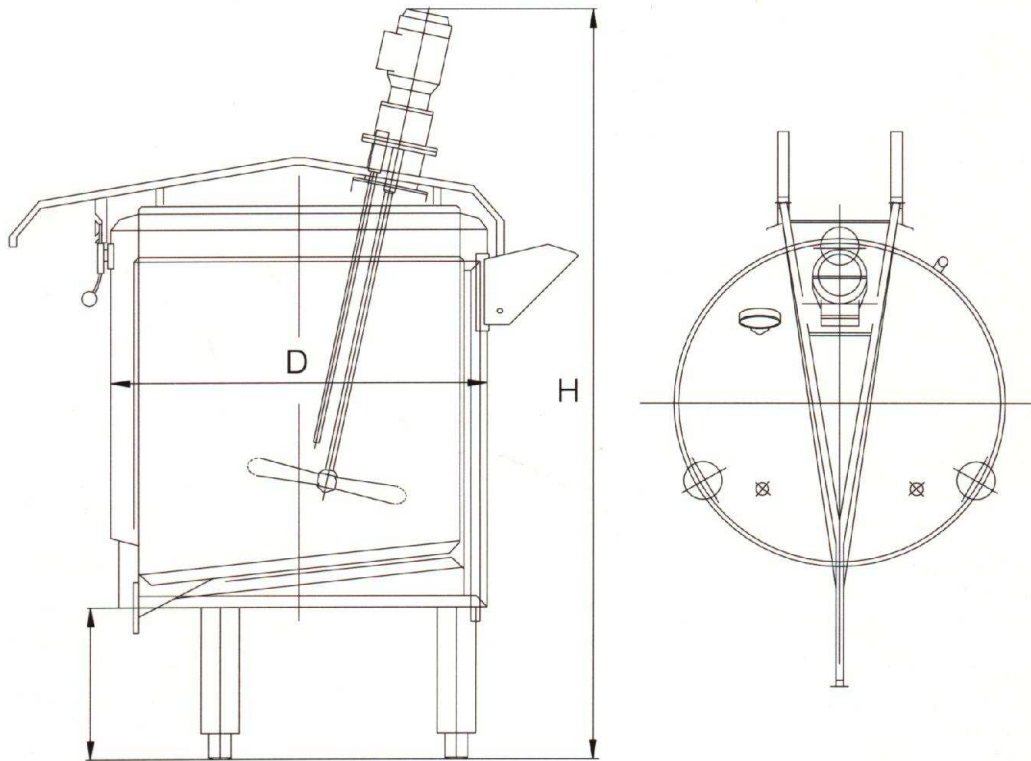
### **Extra equipment:**

- Pouring hole with loose cover, ø260 mm, for addition of ingredients
- Cleaning turbine, ø25 mm
- Connection for PH-control
- Stainless steel support plates for feet
- Pole changeable agitator motor, 90/45 rpm
- Extended legs for 680 mm outlet height
- Stainless steel casing for agitator motor
- Internal finish max. 0.8 µm
- Other options on request



# SILKEBORG MASKINFABRIK A/S

## Dimensions:



Ltr	160	320	500	750
Legs	3	3	3	3

D	795	896	996	996
H	1500	1750	1950	2300
Kgs	200	250	340	450

All information subject to alteration without notice