



SILKEBORG MASKINFABRIK A/S



Vertical Tank Type MAV

SILKEBORG MASKINFABRIK A/S
KEJLSTRUPVEJ 108
DK-8600 SILKEBORG

TEL + 45 87 22 48 00
FAX +45 86 82 95 14

E-MAIL SMF@SMF-AS.DK
WEB WWW.SMF-AS.DK

CVR-NO 18494949
ACCOUNT 9899 3328422



Field of application:

Dairy, brewery, food and chemical industries for storage and possible heat treatment of liquid products.

Capacity:

From 100 to 50,000 litres.

Standard designs:

Single shell

50 mm insulation

Jacket and 50 mm insulation

Single shell design:

The tank is made of stainless steel, EN 1.4301. It has 20° cone type top and bottom and is equipped with centrally located outlet.

The tank is supported by tubular stainless steel legs with adjustable ball type feet.

Insulated design:

The tank is made of stainless steel, EN 1.4301. It has 20° cone type top and bottom and is equipped with centrally located outlet. Shell and bottom are insulated with mineral wool and covered by an outer shell of full welded stainless steel, EN 1.4301.

The tank is supported by tubular stainless steel legs with adjustable ball type feet.

Jacketed, insulated design:

The tank is made of stainless steel, EN 1.4301. It has 20° cone type top and bottom and is equipped with centrally located outlet. It is provided with a stainless steel heating/cooling jacket, EN 1.4301, around the shell for forced circulation of water. Max. inlet pressure to jacket 4 bar. Shell and bottom are insulated with 50 mm mineral wool and covered by an outer shell of full welded stainless steel, EN 1.4301.

The tank is supported by tubular stainless steel legs with adjustable ball type feet.

Internal Finish:

Top, shell and bottom: 2B with polished welds, max. 1.0 µm.

External Finish:

Top and shell: 2B with polished welds, max. 1.6 µm.

Bottom: Oil polished, only tanks with insulation.

Tank fittings: Brushed welds.



Alternative designs:

Inner tank made of EN 1.4404 stainless steel

25° to 45° cone type bottoms

Two-section jacket

Top insulated and covered by an outer shell of full welded stainless steel, EN 1.4301

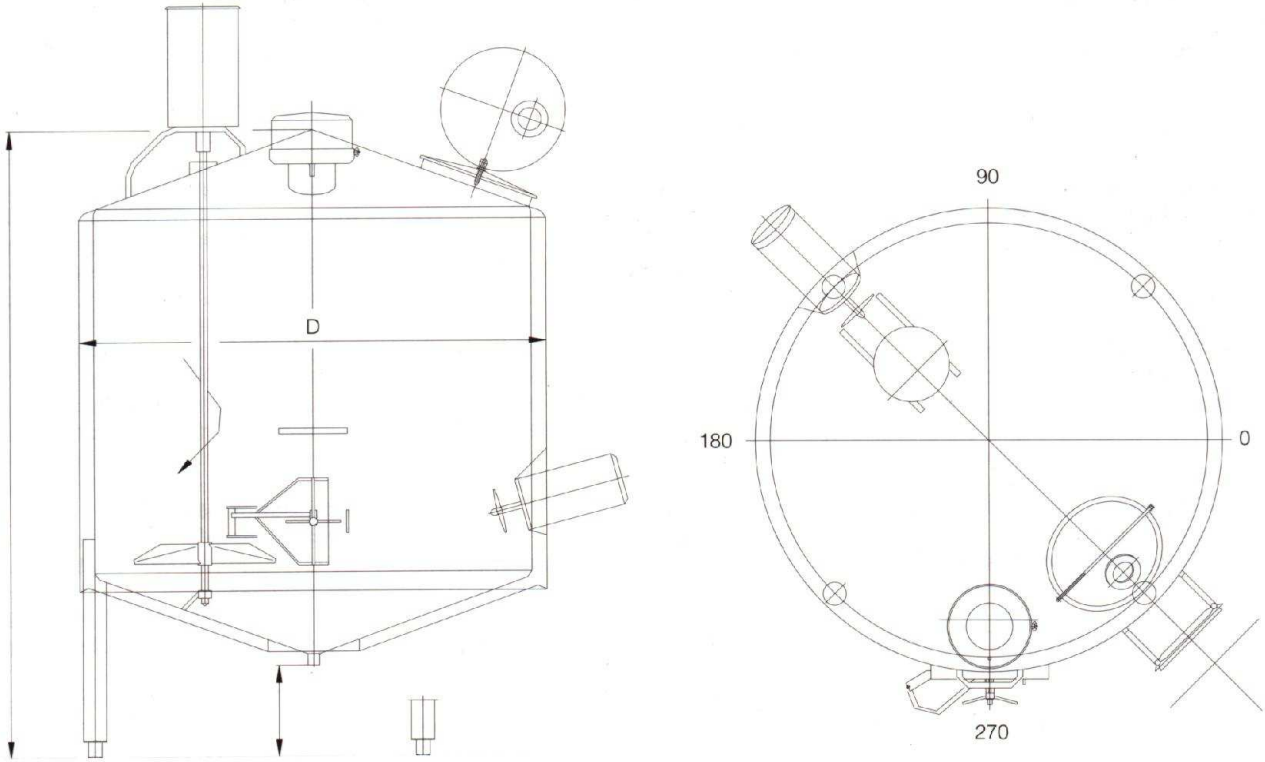
Stainless steel cooling/heating jacket at the bottom.

Extra equipment:

- Foamless inlet
- Foamless inlet, removable
- Airvent
- Swan necks
- Circular manway on tank top
- Oval manway cover on shell (only tanks of 5000 litres or more)
- Safety switch for agitator
- Anti vortex device
- Cleaning turbine
- Spray ball removable
- Sight glass
- Light fittings
- Dial thermometer
- Connection for PT-100 temperature sensor or similar
- Flange for level transmitter
- Connections for level probes
- Stainless steel ladder with safety hoop
- Capacity scale glassblasted on inner tank wall
- Sample valve, type Keofitt
- Stainless steel support plates for feet
- Vertical agitator, type RCI/ALTB/ALT
- Horizontal agitator, type as RCN/ALS
- Frame type agitator
- Extended legs - max. 900 mm
- Motor cover for agitator
- Internal finish max. 0.8 µm
- Other options on request.



Dimensions:



Ltr.	1000	1500	2000	3000	4000	5000	6000	7500	10000	12000	15000	17500	20000	23000	25000	28000	30000
Legs	3	3	3	3	3	4	4	4	4	4	4	4/6	4/6	4/6	4/6	4/6	4/6

Single Shell Tank

D	1146	1146	1432	1432	1432	1910	1910	1910	2387	2387	2387	2865	2865	2865	2865	2865	2865
H	1974	2374	2278	2878	3478	2852	3252	3852	3626	4026	4626	4200	4600	5000	5400	5900	6200
Kgs	200	250	300	350	400	450	450	500	650	750	850	950	1000	1150	1200	1300	1350

Insulated 50 mm

D	1279	1279	1565	1565	1565	2043	2043	2043	2520	2520	2520	2998	2998	2998	2998	2998	2998
H	1922	2322	2226	2826	3426	2800	3200	3800	3574	3974	4574	4148	4548	4948	5348	5848	6148
Kgs	300	350	400	500	600	650	700	850	1000	1100	1450	1550	1600	1750	1850	2000	2100

With jacket and insulation 50 mm

D	1279	1279	1565	1565	1565	2043	2043	2043	2520	2520	2520	2998	2998	2998	2998	2998	2998
H	1922	2322	2226	2826	3426	2800	3200	3800	3574	3974	4574	4148	4548	4948	5348	5848	6148
Kgs	400	450	500	650	850	950	1000	1250	1450	1650	2100	2150	2250	2650	2750	3000	3100

All information subject to alteration without notice.