



SILKEBORG MASKINFABRIK A/S



Vertical Open Tank Type MAD

SILKEBORG MASKINFABRIK A/S
KEJLSTRUPVEJ 108
DK-8600 SILKEBORG

TEL + 45 87 22 48 00
FAX +45 86 82 95 14

E-MAIL SMF@SMF-AS.DK
WEB WWW.SMF-AS.DK

CVR-NO 18494949
ACCOUNT 9899 3328422



Field of application:

Dairy, brewery, food and chemical industries for storage and possible heat treatment of liquid products.

Capacity:

From 1,500 to 10,000 litres.

Standard designs:

Single shell

50 mm insulation

Jacket and 50 mm insulation

Single shell design:

The tank is made of stainless steel, EN 1.4301. It has open top and 3.6° inclined bottom with spoon type outlet. The shell is reinforced with a stainless steel pipe around the top serving also as spray pipe.

The tank is supported by tubular stainless steel legs with adjustable ball type feet.

Insulated design:

The tank is made of stainless steel, EN 1.4301. It has open top and 3.6° inclined bottom with spoon type tubular outlet. The shell is reinforced with a stainless steel pipe around the top serving also as spray pipe. Shell and bottom are insulated with mineral wool and covered by an outer shell of full welded stainless steel, EN 1.4301.

The tank is supported by tubular stainless steel legs with adjustable ball type feet.

Jacketed, insulated design:

The tank is made of stainless steel, EN 1.4301. It has open top and V-shaped 3.6° inclined bottom with spoon type tubular outlet. The shell is reinforced with a stainless steel pipe around the top serving also as spray pipe.

It is provided with a stainless steel heating/cooling jacket, EN 1.4301, around the shell for forced circulation of water. Max. inlet pressure to jacket 4 bar. Shell and bottom are insulated with 50 mm mineral wool and covered by an outer shell of full welded stainless steel, EN 1.4301.

The tank is supported by tubular stainless steel legs with adjustable ball type feet.



Internal Finish:

Shell and bottom: 2B with polished/brushed welds, max. 1.0 µm.

External Finish:

Shell and bottom: 2B with polished welds, max. 1.6 µm.

Bottom: Oil brushed.

Tank fittings: Brushed welds.

Alternative designs:

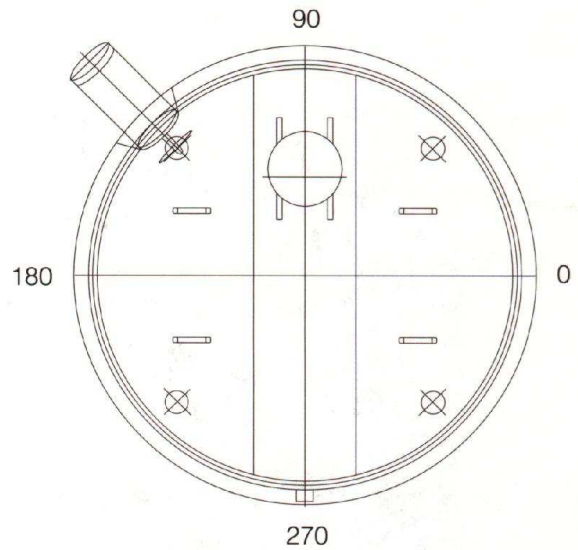
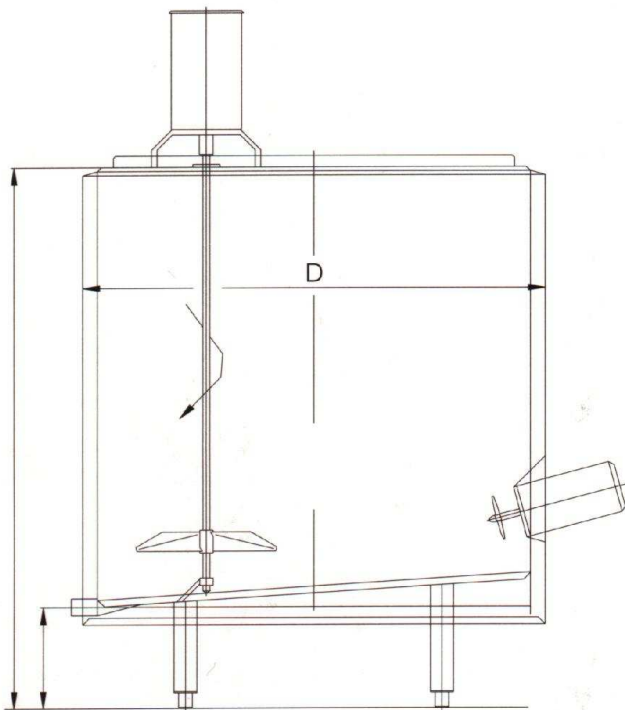
- Inner tank made of EN 1.4404 stainless steel
- 25° to 45° cone type bottoms
- Two-section jacket
- Conical stainless steel legs

Extra equipment:

- Foamless inlet
- Foamless inlet, removable
- Airvent
- Swan necks
- Circular manway on tank top
- Safety switch for agitator
- Anti vortex device
- Cleaning turbine
- Spray ball removable
- Sight glass
- Light fittings
- Dial thermometer
- Connection for PT-100 temperature sensor or similar
- Connection for PH-control
- Flange for level transmitter
- Connections for level probes
- Stainless steel ladder with safety hoop
- Capacity scale glassblasted on inner tank wall
- Sample valve, type Keofitt
- Stainless steel support plates for feet
- Extended legs - max. 900 mm
- Internal finish max. 0.8 µm
- Other options on request.



Dimensions:



Ltr.	1000	2000	4000	6000	7500	10000
Legs	3	3	4	4	4	4

Single Shell Tank

D	1146	1432	1910	1910	2387	2387
H	1670	1870	2070	2870	2670	3070
Kgs	180	300	350	450	500	550

Insulated 50 mm

D	1279	1565	2043	2043	2520	2520
H	1670	1870	2070	2870	2670	3070
Kgs	300	400	600	700	800	950

With jacket and insulation 50 mm

D	1279	1565	2043	2043	2520	2520
H	1670	1870	2070	2870	2670	3070
Kgs	400	550	900	1050	1250	1400

All information subject to alteration without notice