



SILKEBORG MASKINFABRIK A/S



Vertical Open Tank Type MAC

SILKEBORG MASKINFABRIK A/S
KEJLSTRUPVEJ 108
DK-8600 SILKEBORG

TEL + 45 87 22 48 00
FAX +45 86 82 95 14

E-MAIL SMF@SMF-AS.DK
WEB WWW.SMF-AS.DK

CVR-NO 18494949
ACCOUNT 9899 3328422



Field of application:

Dairy, brewery, food and chemical industries for storage and possible heat treatment of liquid products.

Capacity:

From 1,000 to 10,000 litres.

Standard designs:

Single shell

50 mm insulation

Jacket and 50 mm insulation

Single shell design:

The tank is made of stainless steel, EN 1.4301. It has open top and 20° cone type bottom with centrally located outlet. The shell is reinforced with a stainless steel pipe around the top serving also as spray pipe.

The tank is supported by tubular stainless steel legs with adjustable ball type feet.

Insulated design:

The tank is made of stainless steel, EN 1.4301. It has open top and 20° cone type bottom with centrally located outlet. The shell is reinforced with a stainless steel pipe around the top serving also as spray pipe.

Shell and bottom are insulated with mineral wool and covered by an outer shell of full-welded stainless steel, EN 1.4301.

The tank is supported by tubular stainless steel legs with adjustable ball type feet.

Jacketed, insulated design:

The tank is made of stainless steel, EN 1.4301. It has open top and 20° cone type bottom with centrally located outlet.

The shell is reinforced with a stainless steel pipe around the top serving also as spray pipe.

It is provided with a stainless steel heating/cooling jacket, EN 1.4301, around the shell for forced circulation of water. Max. inlet pressure to jacket 4 bar.

Shell and bottom are insulated with 50 mm mineral wool and covered by an outer shell of full-welded stainless steel, EN 1.4301.

The tank is supported by tubular stainless steel legs with adjustable ball type feet.



Internal Finish:

Shell and bottom: 2B with polished/brushed welds, max. 1.0 µm.

External Finish:

Shell: 2B with polished welds, max. 1.6 µm.

Bottom: Oil brushed.

Tank fittings: Brushed welds.

Alternative designs:

Inner tank made of EN 1.4404 stainless steel

25°-45° cone type bottom

Two-section jacket

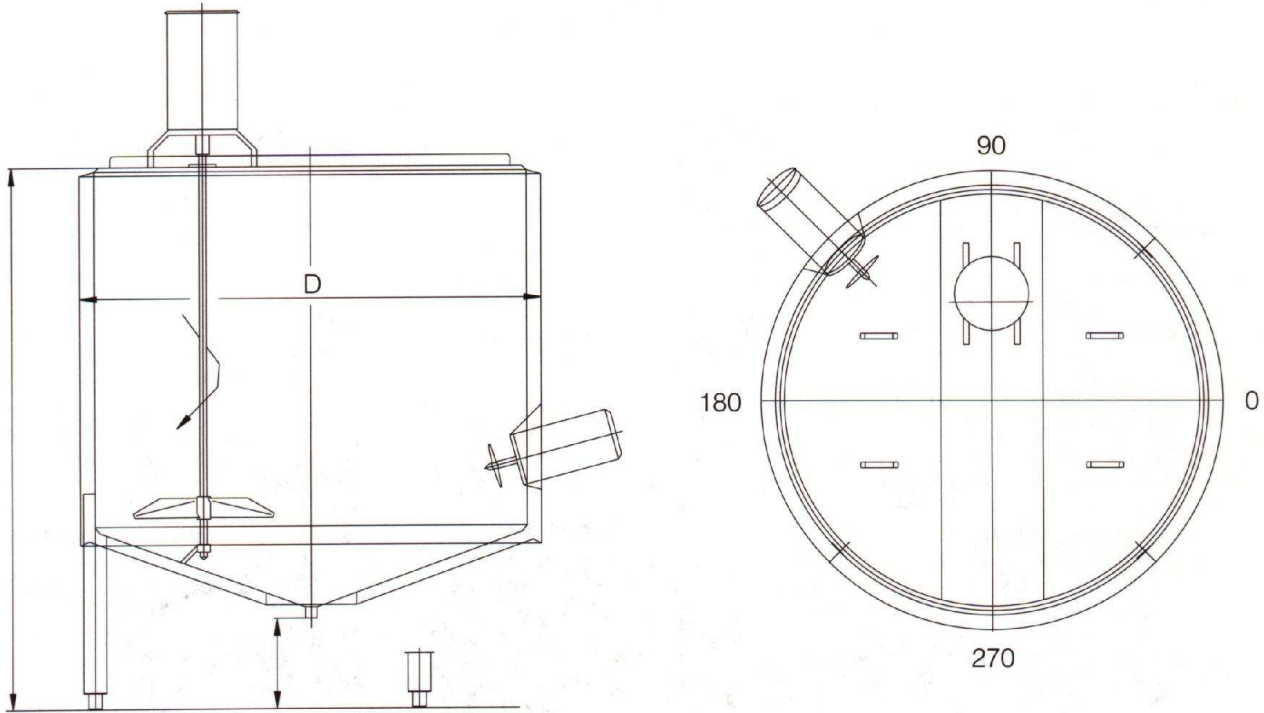
Conical stainless steel legs.

Extra equipment:

- Foamless inlet
- Foamless inlet, removable
- Divided stainless steel cover
- Airvent
- Swan necks
- Circular manway on tank top
- Oval manway cover on shell (only tanks of 5000 litres or more)
- Safety switch for agitator
- Anti vortex device
- Cleaning turbine
- Spray ball removable
- Sight glass
- Light fittings
- Dial thermometer
- Connection for PT-100 temperature sensor or similar
- Flange for level transmitter
- Connections for level probes
- Stainless steel ladder with safety hoop
- Capacity scale glassblasted on inner tank wall
- Sample valve, type Keofitt
- Stainless steel support plates for feet
- Vertical agitator, type RCI/HPTB
- Horizontal agitator, type as RCN/HPS
- Frame type agitator
- Extended legs - max. 900 mm
- Motor cover for agitator
- Internal finish max. 0.8 µm
- Other options on request.



Dimensions:



Ltr.	1000	2000	4000	6000	7500	10000
Legs	3	3	4	4	4	4

Capacity (Ltr.)

Kgs	180	300	400	450	500	650
-----	-----	-----	-----	-----	-----	-----

Insulated 50 mm

D	1279	1565	2043	2043	2520	2520
H	1844	2096	2183	2983	2771	3271
Kgs	300	400	600	700	850	1000

With jacket and insulation 50 mm

D	1279	1565	2043	2043	2520	2520
H	1844	2096	2183	2983	2771	3271
Kgs	400	500	850	1000	1250	1450

All information subject to alteration without notice