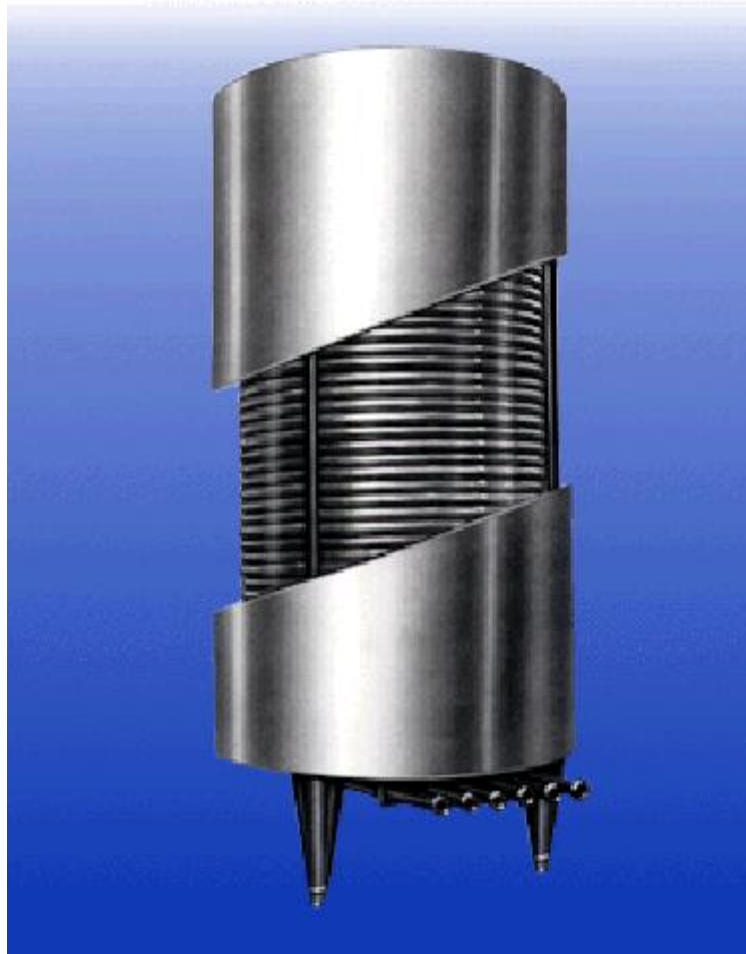




SILKEBORG MASKINFABRIK A/S



# Holding Cell Type HHT



**Field of application:**

Temperature holding

**Capacity:**

From 1,000 to 30,000 litres/h, 180 or 300 sec.

**Standard designs:**

The holding cell is made of stainless steel EN 1.4301. It is designed as a vertical, tubular spiral mounted on a base plate with tubular legs and adjustable ball type feet.

In- and outlet connections are located horizontally under the base plate. The holding cell is insulated with 50 mm mineral wool and covered by a stainless steel outer shell with cone type top.

**External Finish:**

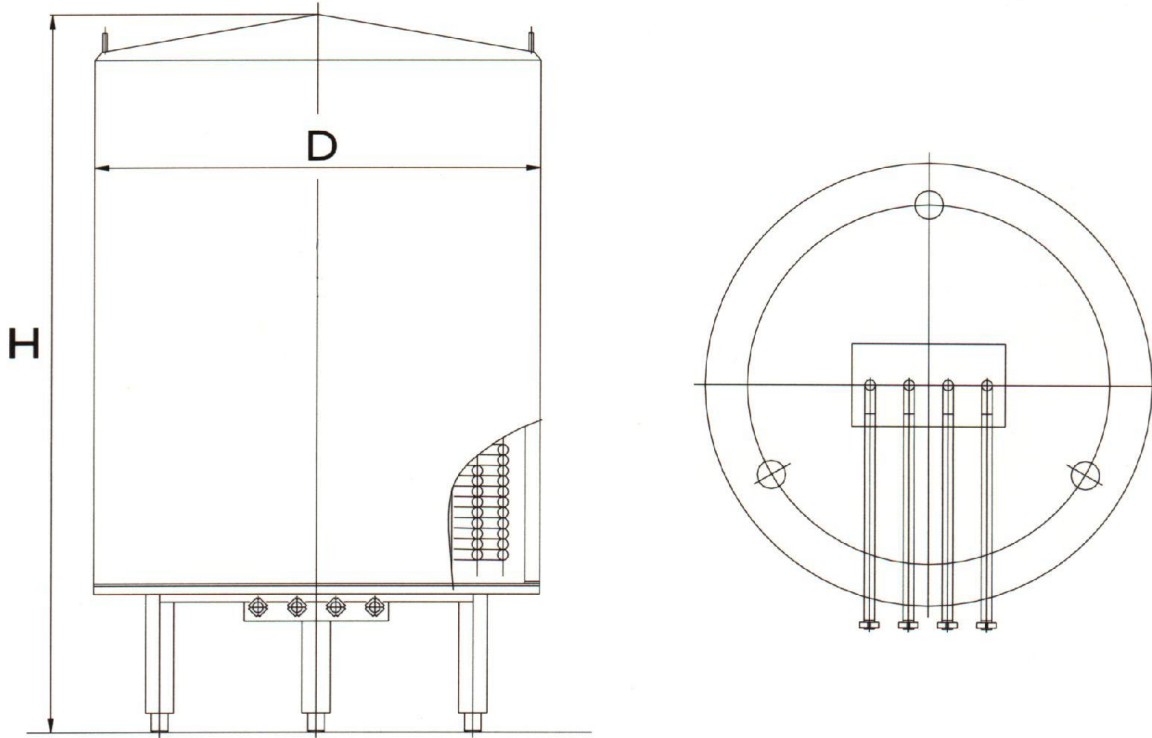
Polished max. 1.6 µm.

**Alternatives:**

- Divided spiral for two or more holding times at the same plant capacity.
- Alternative holding times.
- Tank made in 2B with polished welds, max. 1.6 µm.



**Dimensions:**



Holding time	180 sec.					300 sec.				
	Plant cap I/h	Pipe dia. ø mm	D ø mm	H ø mm	Number of spirals	Pressure drop*) Kp/cm3	Pipe dia. ø mm	D ø mm	H ø mm	Number of spirals
1000	25	1430	1800	1	0.5	25	1430	1800	2	0.8
2000	25	1430	1900	2	3.0	38	1430	2700	1	0.3
3000	38	1430	2300	2	0.4	38	1430	2300	2	0.7
4000	38	1430	2300	2	0.9	38	1430	2900	2	1.6
5000	38	1430	2500	2	1.8	38	1430	2700	3	3.0
6000	38	1430	2700	2	3.0	51	1430	2900	2	0.6
7000	51	1430	2500	2	0.6	51	1430	3300	2	0.9
8000	51	1430	2700	2	0.8	51	1750	2600	3	1.3
9000	51	1430	2900	2	1.1	51	1750	2800	3	1.9
10000	51	1430	3000	2	1.5	51	1750	3000	3	2.5
12000	51	1750	2600	3	2.4	63.5	1750	3000	3	0.8
14000	63.5	1750	3400	2	0.9	63.5	1750	3300	2	1.5
15000	63.5	1750	2600	3	1.1	63.5	1750	3500	3	1.7
16000	63.5	1750	2800	3	1.2	63.5	1750	3600	3	2.0
18000	63.5	1750	2900	4	1.7	63.5	2050	3200	4	2.9
20000	63.5	1750	3300	3	2.2	76	2050	3300	4	1.1
22000	76	1750	3700	2	0.9	76	2050	3700	3	1.4
24000	76	1750	4000	2	1.1	76	2050	4000	3	2.0
26000	76	1750	4200	2	1.5	76	2050	4200	3	2.4
28000	76	2050	3100	3	1.9	76	2050	4400	3	3.2
30000	76	2050	3300	3	2.2	76	2050	4600	3	3.6



# SILKEBORG MASKINFABRIK A/S

\*) The pressure drops stated are valid for milk. For cream with fat content of 35-40% the pressure drops will be approx. 50% higher All information subject to alteration without notice.