



SILKEBORG MASKINFABRIK A/S



Balance Tank Type EAV

SILKEBORG MASKINFABRIK A/S
KEJLSTRUPVEJ 108
DK-8600 SILKEBORG

TEL + 45 87 22 48 00
FAX +45 86 82 95 14

E-MAIL SMF@SMF-AS.DK
WEB WWW.SMF-AS.DK

CVR-NO 18494949
ACCOUNT 9899 3328422



SILKEBORG MASKINFABRIK A/S

Field of application:

Dairy, food and chemical industries.

Capacities:

100, 300, 500 and 800 litres.

Standard design:

The balance tank is fabricated from stainless steel, EN 1.4404.

The tank has 5° conical bottom. It is provided with plain tubular outlet.

It is supported by three tubular legs made of stainless steel with ball type feet.

Foundation pins are included.

Internal finish:

Polished max. 1.0 µm.

External finish:

Polished max. 1.6 µm.

Extra equipment:

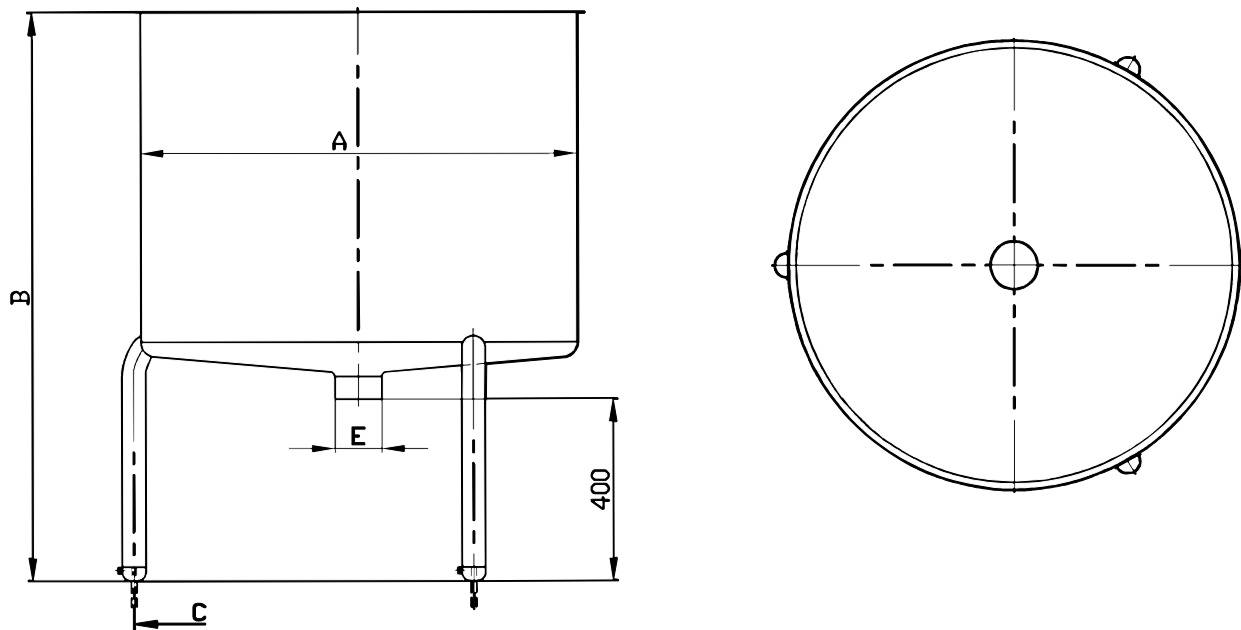
- Loose cover with hanger
- Loose cover with hanger 1/3
- Weld cover with hanger 2/3
- Complete union on outlet connection
- Float valve with smooth inlet
- Internal overflow pipe
- Foamless inlet
- In welding of connections for level, PT-100 etc.

Alternative:

Tank made in 2B with polished welds, max. 1.0 µm/1.6 µm.



Dimensions:



Cap. litres	A mm	B mm	C mm	E mm
100	555	938	304	ø76.1
300	795	1145	424	ø101.6
500	950	1245	500	ø101.6
800	-	-	-	ø101.6

All information subject to alteration without notice.