



SILKEBORG MASKINFABRIK A/S



# Balance Tank Type EAF



**Field of application:**

Dairy, food and chemical industries.

**Capacities:**

100, 300, 500 and 800 litres.

**Standard design:**

The balance tank is fabricated from stainless steel, EN 1.4404.

The tank has 3.6° flat inclined bottom. It is provided with plain tubular outlet.

It is supported by three tubular legs made of stainless steel with ball type feet.

Foundation pins are included.

**Internal finish:**

Polished max. 1.0 µm.

**External finish:**

Polished max. 1.6 µm.

**Extra equipment:**

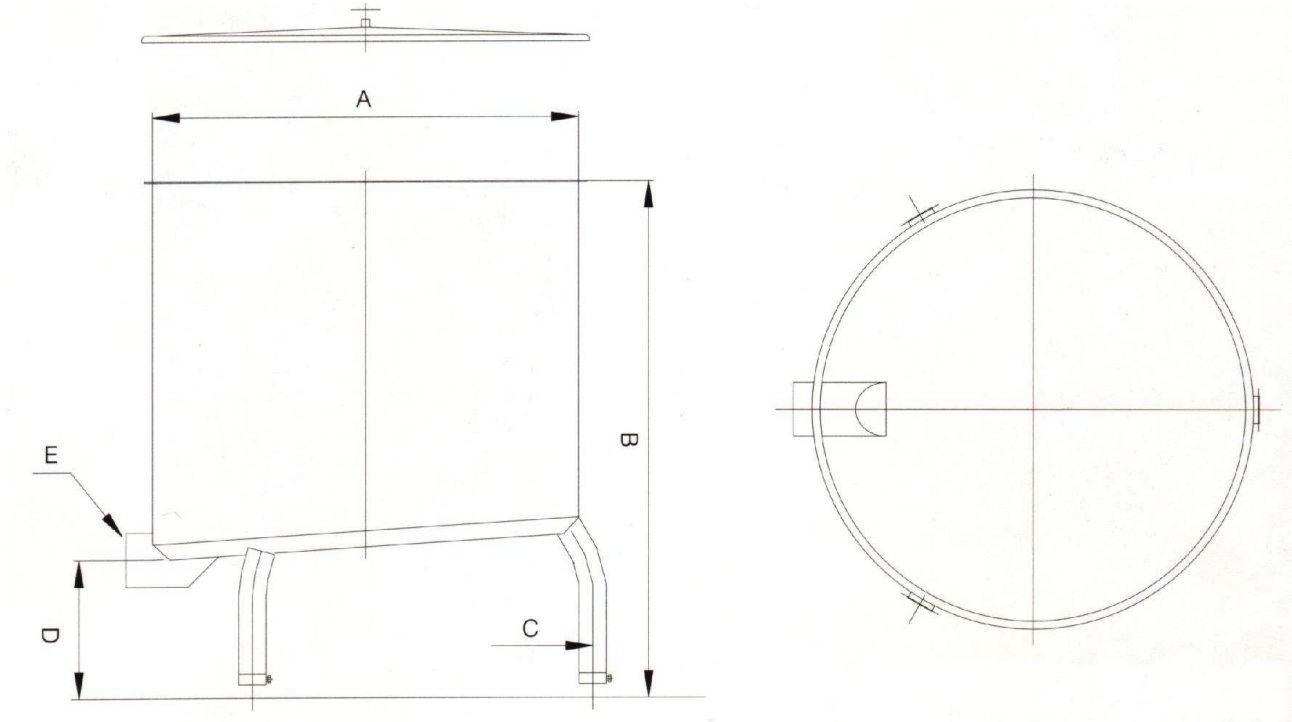
- Loose cover with hanger
- Loose cover with hanger 1/3
- Weld cover with hanger 2/3
- Complete union on outlet connection
- Float valve with smooth inlet
- Internal overflow pipe
- Foamless inlet
- In welding of connections for level, PT-100 etc.

**Alternative:**

Tank made in 2B with polished welds, max. 1.0 µm/1.6 µm.



**Dimensions std.:**



Cap. litres	A mm	B mm	C mm	D mm	E mm
100	555	757	304	260	ø76.1
300	795	970	424	260	ø101.6
500	950	1070	500	260	ø101.6
800	-	-	-	-	ø101.6

All information subject to alteration without notice