



SILKEBORG MASKINFABRIK A/S



DVD 00-0-012 E

# Aseptic Tank Type DVD

SILKEBORG MASKINFABRIK A/S  
KEJLSTRUPVEJ 108  
DK-8600 SILKEBORG

TEL + 45 87 22 48 00  
FAX +45 86 82 95 14

E-MAIL SMF@SMF-AS.DK  
WEB WWW.SMF-AS.DK

CVR-NO 18494949  
ACCOUNT 9899 3328422



## Field of application:

In the dairy and food industries where aseptic processing and storage conditions are required. The aseptic tank can be pre-sterilized at 143°C for use in UHT sterilizing plants.

## Capacity:

From 2,000 to 30,000 litres.

## Standard designs:

The aseptic tank system is delivered complete with the following main components:

Stainless steel tank, EN 1.4301. It has domed top and bottom and is equipped with centrally located outlet. It is provided with a stainless steel cooling jacket, EN 1.4301, around the shell for forced circulation of water. Max. inlet pressure to jacket 4.0 bar.

The shell is insulated with 70 mm mineral wool and covered by an outer shell of full welded stainless steel, EN 1.4301.

The tank is supported by tubular stainless steel legs with adjustable ball type feet.

The tank is equipped with:

- 1 - Connection for air
- 1 - CIP nozzle
- 1 - Flange cover,  $\varnothing$  450 mm (in centre of bottom)
- 1 - Outlet connection in cover

## Technical data:

Pressure:	max. 3 bar
Vacuum:	max. 1 bar
Max. temperature	143°C
Design Code:	PED 97/23/EC and EN 13445
Authorisation:	According to PED 97/23/EC

## Internal Finish:

Shell:	2B with polished welds, max. 1.0 $\mu\text{m}$ .
Top and bottom:	Polished

## External Finish:

Shell:	2B with polished welds, max. 1.6 $\mu\text{m}$ .
Top and bottom:	Polished.
Tank fittings:	Brushed welds.



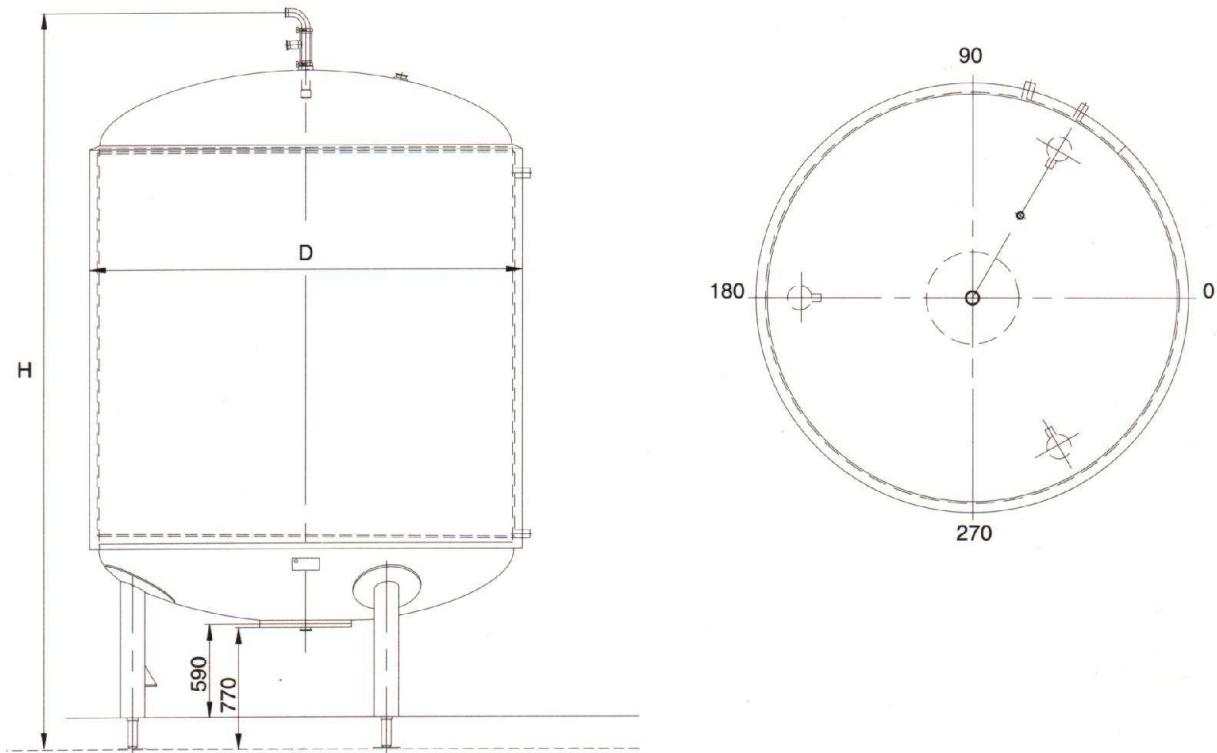
SILKEBORG MASKINFABRIK A/S

**Extra equipment:**

- Aseptic agitator
- Design in acid proof stainless steel (EN 1.4404)
- Internal finish max. 0.8  $\mu\text{m}$



**Dimensions app.:**



Ltr.	2000	4000	6000	8000	10000	12000	16000	20000	25000	30000
Legs	3	3	4	4	4	4	4/6	4/6	4/6	4/6

D	1500	1900	1900	2400	2400	2400	2800	2800	3100	3100
H	2900	3400	4100	3700	4200	4700	4700	5700	6000	6700
Kgs	850	1050	1250	1800	2100	2500	3000	3700	4100	4800

All information subject to alteration without notice.